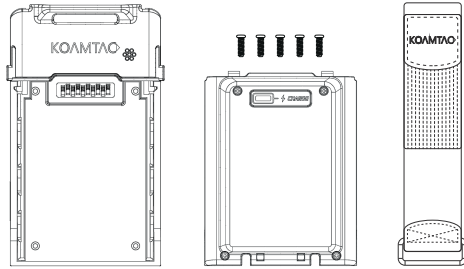


## What's in the Box?

- 1 x Extended Battery Adaptor
- 1 x 2000mAh Extended Battery
- 1 x Extended Battery Hand Strap
- 4 x screws + 1 extra



\*SmartSled sold separately.  
Tweezers and PH0 screwdriver (not included)  
will be necessary to complete assembly.

## Additional SmartSled Accessories:

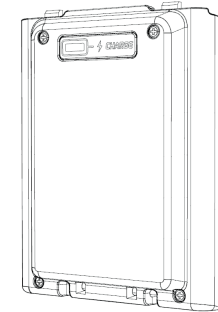
- 1-Slot Charging Cradle
- 4-Slot Charging Cradle
- Pistol Grip



116 Village Blvd, Ste 305, Princeton, NJ 08540  
+1 609-256-4700 p | +1 609-228-4373 f  
info@koamtac.com | www.koamtac.com



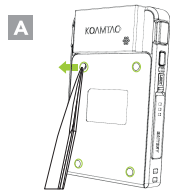
## SmartSled Extended Battery Assembly Manual



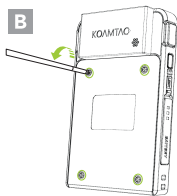
\* For KDC470/475/480/485 SmartSled Scanners.

## Assembly Instructions:

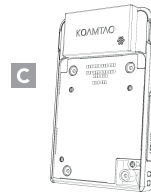
1. Using tweezers, carefully remove all four (4) screw caps from back of SmartSled. (A)



2. Remove all four (4) screws from back of SmartSled. (B)



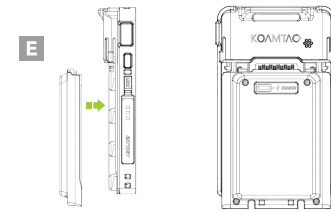
3. Remove cover plate from back of SmartSled. (C)



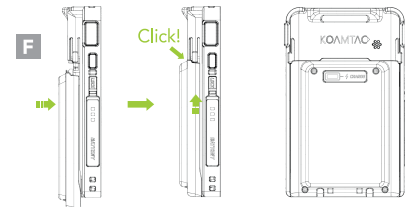
4. Align screw holes of Extended Battery Adaptor with screw holes of SmartSled. Use four (4) included screws to attach Extended Battery Adaptor to SmartSled. (D)



5. Align notch in top of Extended Battery with top notch of the Extended Battery Adaptor. (E)

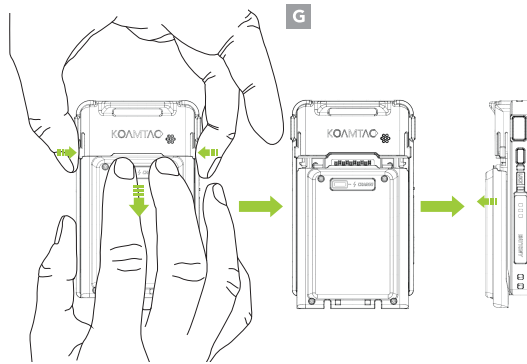


6. Slide Extended Battery up until it clicks. (F)



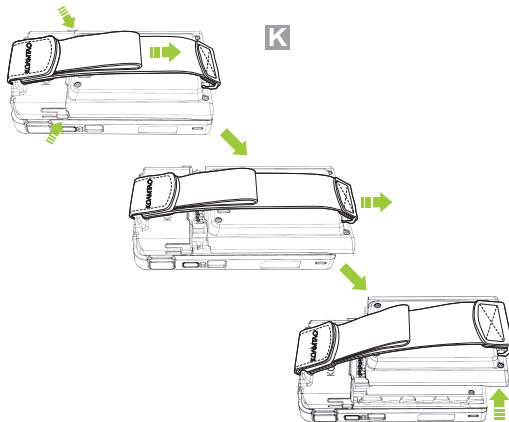
## Removing Extended Battery

Squeeze tabs on both sides of the Extended Battery Adaptor and slide the Extended Battery down. Pull the Extended Battery away from the Extended Battery Adaptor and SmartSled. (G)



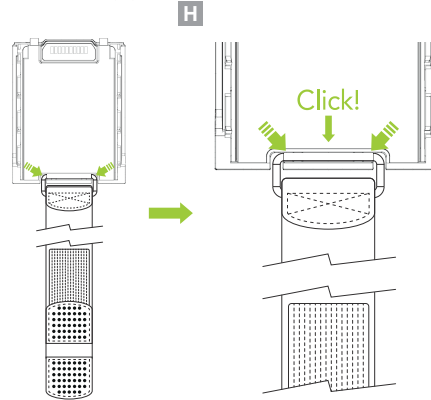
## Exchange Extended Battery

1. Squeeze tabs on both sides of the Extended Battery Adaptor and slide the Extended Battery sideways. then raise up the Extended Battery. (K)



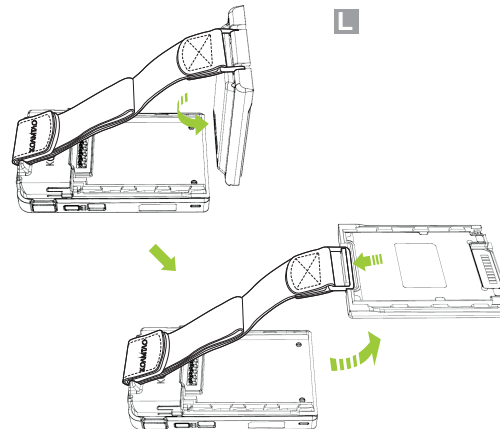
## Hand Strap Assembly Instructions

1. Place the metal ring on the Hand Strap into the groove at the bottom of the battery. Pull down until it clicks. (H)



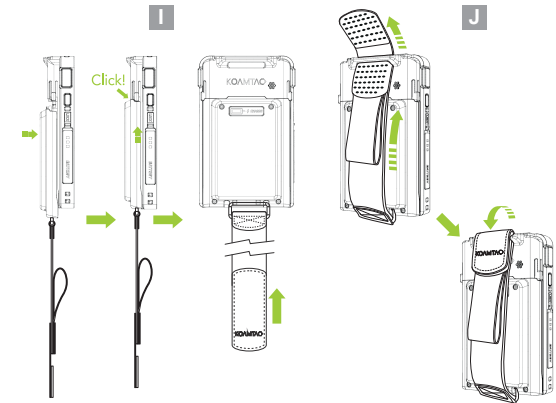
\*Hook-and-loop fastener side up

2. After rotating the battery, remove the battery from the metal ring. (L)



\*To reattach the battery, perform the previous steps in reverse.

2. Attach the Extended Battery to the Extended Battery Adaptor. Lift bottom of hand strap to top and slide the hand strap through the loop at the top of the Adaptor. connect the hook-and-loop fasteners to form a connected hand strap. (I, J)



## Extended Battery Status

When the device is charging

**Red:** Low Battery  
**Orange:** Charging  
**Green:** Fully Charged

When the battery is in use and device is discharging

**Blinking Red:** Low Battery  
**Blinking Orange:** Discharging  
**Blinking Green:** Fully Charged

\*The LED (Light Emitting Diode) blinks when the battery is being used .