

## What's in the box?

- Smartphone Case
- KDC470/475 General Universal Case Adaptor (GUA)
- 1x Magnetic USB Connect Head (Type C or Micro USB)
- 3x BH M 1.7x4L (C3/0.5T) Screws
- 3x BH M 1.7x7L (C3/0.8T) Screws
- 5x BH M 1.7x6.0L Screws
- 2x Screw Covers

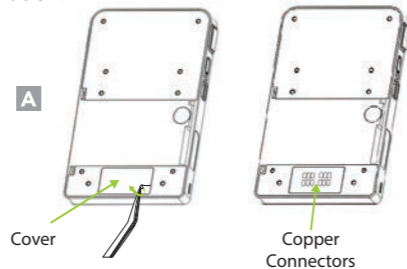
## Tools Needed (not included)

- SPH0 Screwdriver
- Tweezers

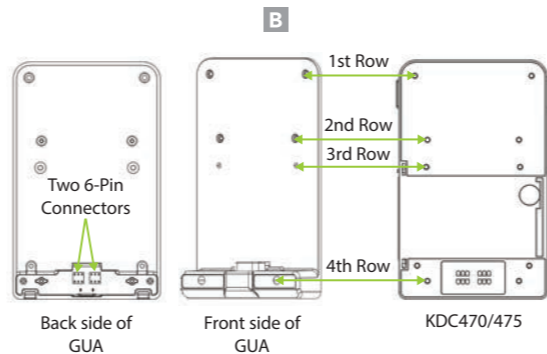
## Assembly Instructions:

1. Remove the silicone inner case from the hard plastic outer shell of the phone case by squeezing the left and right sides of the case where the silicone is exposed.

2. Using tweezers, peel off the small rectangular cover on the back side of the KDC470/475 to expose the copper connectors (A). **Take care to not touch the connectors as it may result in undesired operation.**



3. Place the GUA on top of the back side of the KDC470/475 and align the screw holes on the GUA with the screw holes on the back of the KDC (B). Take care to ensure the two 6-pin connectors on the back of the GUA are aligned with the copper connectors on the back side of the KDC.



## Additional KDC470/475 Accessories:

- 1-Slot Charging Cradle
- 4-Slot Charging Cradle
- HF Companion
- 0.5W UHF Companion
- 1.0W UHF Companion
- Pistol Grip
- Extended Battery

[Visit our website for more information.](#)

# KOAMTAC

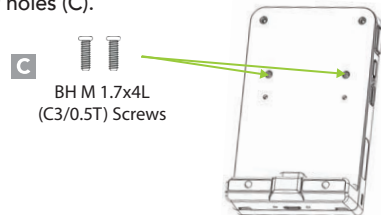
116 Village Blvd, Ste 305, Princeton, NJ 08540  
+1 609-256-4700 p | +1 609-228-4373 f  
[info@koamtac.com](mailto:info@koamtac.com) | [www.koamtac.com](http://www.koamtac.com)

# KOAMTAC

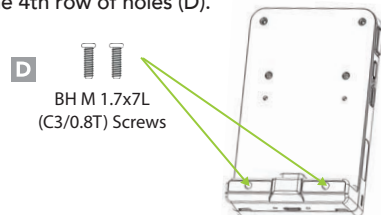
[General Universal Adaptor \(GUA\)  
to KDC470/475 Assembly Manual](#)



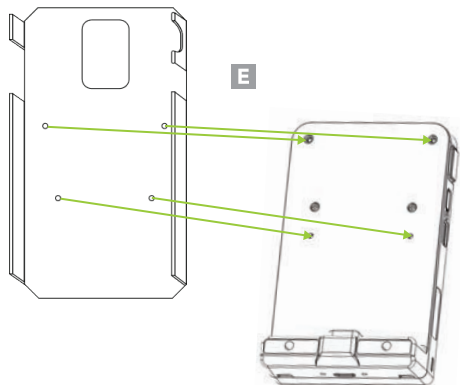
4. With the GUA on top of the KDC470/475, screw two (2) BH M 1.7x4L (C3/0.5T) screws into the 2nd row of holes (C).



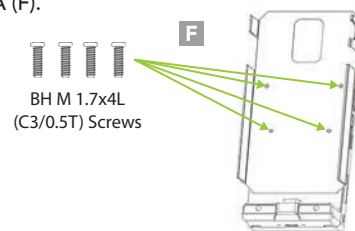
5. Next, screw two (2) BH M 1.7x7L (C3/0.8T) screws into the 4th row of holes (D).



6. Align the pre-drilled hard plastic outer shell of the phone case with the 1st row and 3rd row of screw holes on the GUA, which now should be attached to the KDC470/475 (E).



7. Screw four (4) BH M 1.7x6.0L screws into the hard plastic outer shell of the phone case to attach it to the GUA (F).



8. Slide the phone into the silicone phone case (G).



9. Insert the Magnetic USB Connect Head into the charging port of the Smartphone ensuring that the Connect Head is firmly secured (H).



10. Align silicone case with outer shell and press firmly into place ensuring the magnetic USB connector in the GUA is connected to the Magnetic Connect Head in the phone (I).



10. Inspect the connection between the General Universal SmartSled and previously installed USB Connect Head. To test the connection, attempt to charge your device via USB or Charging Cradle - a successful connection will indicate charging on your device.

11. Now that the device has been tested, remove the two (2) screw covers from the adhesive backing and place them over the 4th row screw holes (J).

