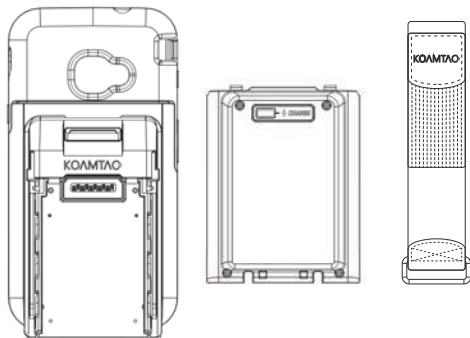


What's in the Box?

- 1 x Protective Charging Case with Extended Battery Adaptor
- 1 x 2000mAh Extended Battery
- 1 x Extended Battery Hand Strap



Additional Accessories:

- 1-Slot Charging Cradle with Extended Battery Slot
- 4-Slot Charging Cradle

Visit our website for more information.

KOAMTAC

116 Village Blvd, Ste 305, Princeton, NJ 08540
+1 609-256-4700 p | +1 609-228-4373 f
info@koamtac.com | www.koamtac.com

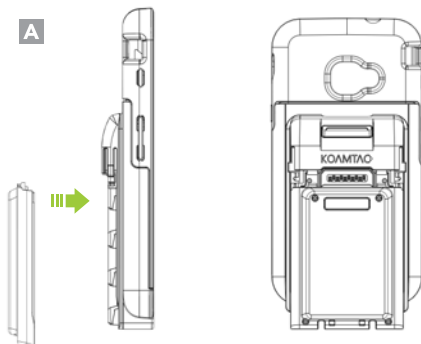
KOAMTAC

Protective Charging Case with Extended Battery Assembly Manual

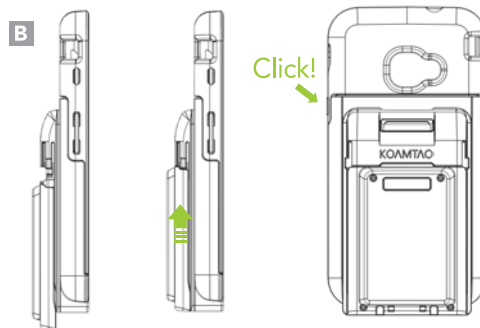


Assembly Instructions

1. With the Protective Charging Case and the Extended Battery Adaptor installed, align the top notch of the Extended Battery with the top notch of the Extended Battery Adaptor. (A)



2. Slide the Extended Battery up until it clicks. (B)



Extended Battery Status

When the device is charging

Red: Low Battery
Orange: Charging
Green: Fully Charged

When the battery is in use and device is discharging

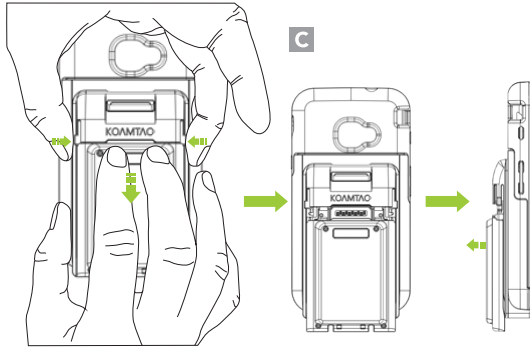
Blinking Red: Low Battery
Blinking Orange: Discharging
Blinking Green: Fully Charged



*The LED (Light Emitting Diode) blinks when the battery is being used .

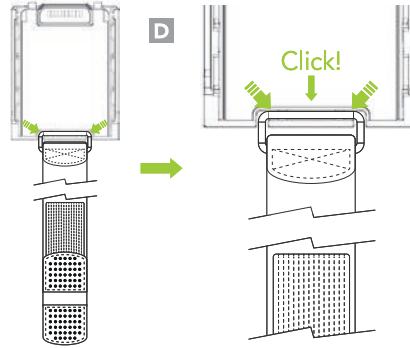
Removing Extended Battery

Squeeze the tabs on both sides of the Extended Battery Adaptor and slide the Extended Battery down. Pull the Extended Battery away from the Extended Battery Adaptor and Case. (C)



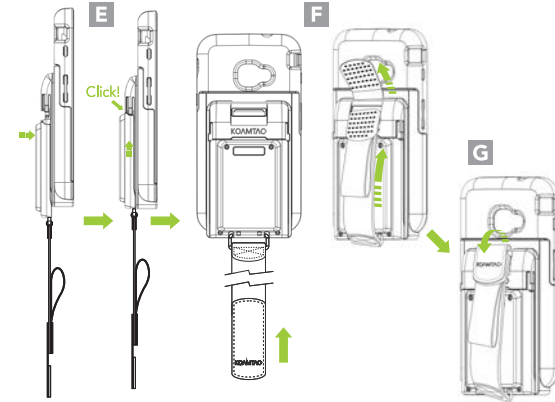
Hand Strap Assembly Instructions

1. Place the unattached Extended Battery upside down. Place the metal ring of the Hand Strap into the groove on the bottom of the Extended Battery. Fully insert the ring until it clicks. (D)



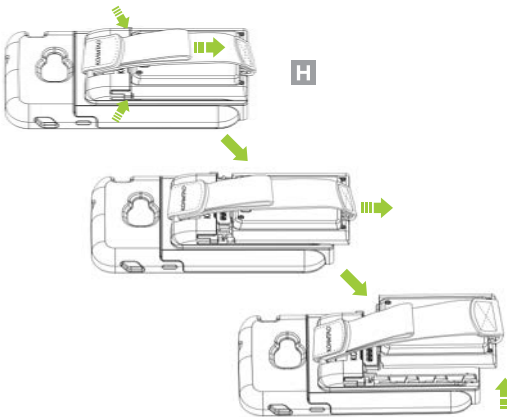
*Hook-and-loop fastener side up

2. Attach the Extended Battery to the Extended Battery Adaptor. (E) Lift bottom of hand strap to top and slide the hand strap through the loop at the top of the Adaptor. (F) Connect the hook-and-loop fasteners to secure the hand strap in place. (G)

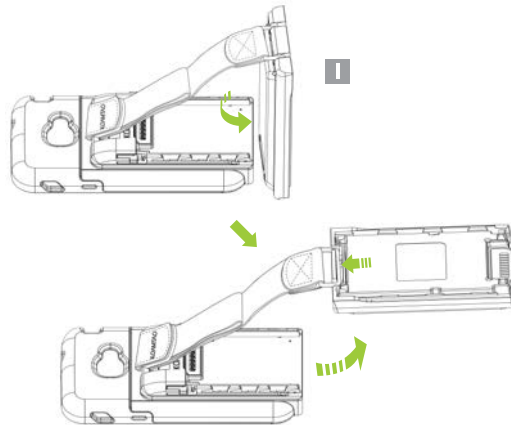


Exchange Extended Battery

1. Squeeze the tabs on both sides of the Extended Battery Adaptor, slide the Extended Battery down, and raise the Extended Battery upwards. (H)



2. After rotating the battery, remove the battery from the metal ring. (I)



*To reattach the battery, perform the previous steps in reverse.

Finished Assembly

