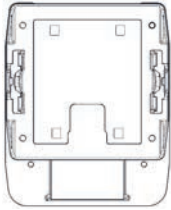


What's in the Box?

- ▶ 1 x OtterBox uniVERSE Adaptor
- ▶ 1 x extra screw

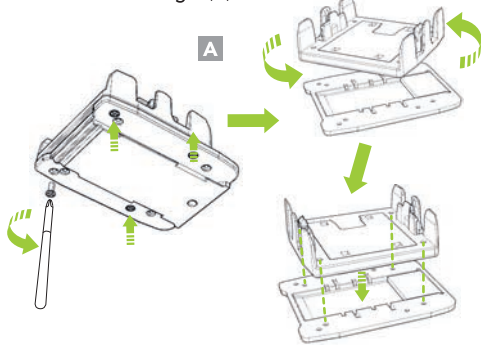


I

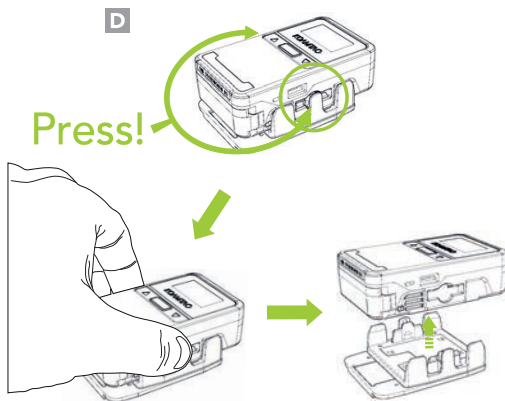
*PH0 screw driver (not included) will be necessary to complete assembly.

Changing Adaptor Orientation (Optional)

1. By default, the uniVERSE Adaptor is oriented for vertical scanning. To adjust the scanner for horizontal scanning, remove all four (4) screws from the bottom of the adaptor and rotate the cap 90 degrees. Align the position of the bolt fastening hole of the adaptor cap as shown in the image. (A)



2. To remove the KDC180 from the uniVERSE Adaptor, pull up while pressing the buttons on both sides of the uniVERSE Adaptor cap. (D)



Additional Accessories

- ▶ Ring Trigger (Left/Right/Double)
- ▶ 2-Slot and 10-Slot Charging Cradles
- ▶ Micro USB Cable
- ▶ KBLED41 BLE Dongle
- ▶ Protective Rubber Boot
- ▶ Finger Trigger Glove

KDC180 Models

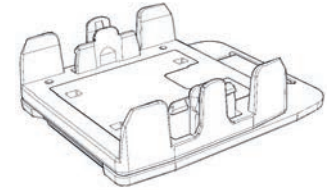
- ▶ KDC180U Wearable 0.5W UHF Reader
- ▶ KDC180H 2D Imager
- ▶ KDC180H 2D Imager with Keypad
- ▶ KDC180H 2D Imager with Inductive Charging
- ▶ KDC180H 2D Imager with 0.5W UHF Reader

KOAMTAC

116 Village Blvd, Ste 305, Princeton, NJ 08540
+1 609-256-4700 p | +1 609-228-4373 f
info@koamtac.com | www.koamtac.com

KOAMTAC

KDC180 OtterBox uniVERSE Adaptor Assembly Manual



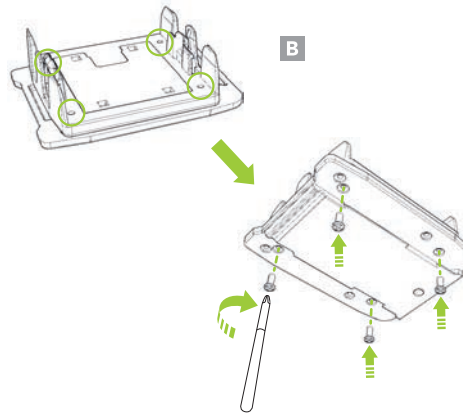
*KDC180 Inductive / Keypad / 0.5W UHF Models are assembled the same way.

Assembly Instructions

1. Insert the KDC180 into the uniVERSE Adaptor cap until both sides click. (C)

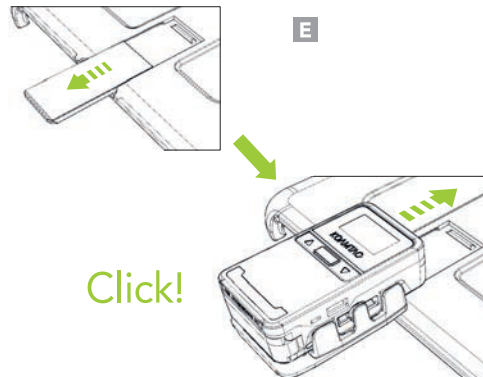


2. After checking the position of the uniVERSE Adaptor cap and the attachment position, tighten all four (4) screws on the bottom of the adaptor. (B)



Attaching to a uniVERSE Case

Remove the removable accent plate from the back of the uniVERSE Case. Align the case with the uniVERSE Adaptor and slide up until you hear a click indicating the adaptor is in place. (E)



Disclaimer

Otter Products, LLC, and its related persons and entities, is not responsible for the operation of this product or its compliance with safety and regulatory standards. This product has been designed for use with certain OtterBox branded products and has been certified by the manufacturer to meet OtterBox performance standards.

Warranty Statement

IN NO EVENT WILL THE MANUFACTURER, DISTRIBUTOR OR OTTER PRODUCTS, LLC BE LIABLE FOR ANY INCIDENTAL, DIRECT, INDIRECT, SPECIAL, PUNITIVE OR CONSEQUENTIAL DAMAGES (SUCH AS, BUT NOT LIMITED TO, DAMAGES FOR LOSS OF PROFITS, BUSINESS, SAVINGS, DATA OR RECORDS) RELATED TO THIS PRODUCT. EXCEPT AS STATED HEREIN, NO OTHER WARRANTIES WILL APPLY.

KOAMTAC KDC180 OtterBox uniVERSE Adaptor
Built for OtterBox uniVERSE
Explore at Business.OtterProducts.com

KDC180H-OUA_AM_20201217