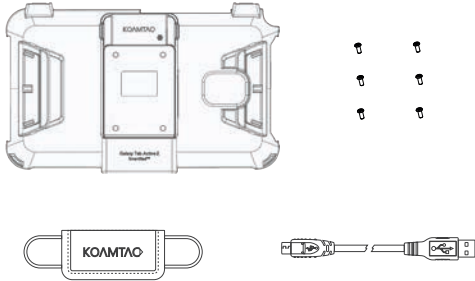


What's in the box?

- Galaxy Tab Active2 Case
- Hand Strap
- Six Screws (if case only)
- KDC470 and Micro USB Cable (if KDC470 is attached)



Additional Galaxy Tab Active2 Accessories:

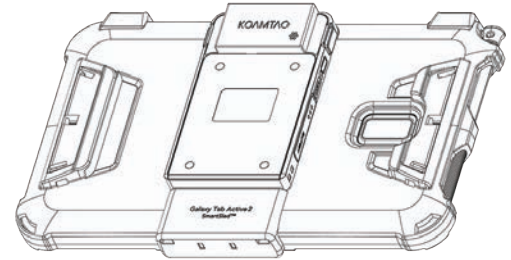
- 1-Slot Charging Cradle
- 4-Slot Charging Cradle
- Single Battery Charger
- 5-Slot Battery Charger
- HF RFID Companion
- UHF RFID Companion

KOAMTAC

116 Village Blvd, Ste 305, Princeton, NJ 08540
+1 609-256-4700 p | +1 609-228-4373 f
info@koamtac.com | www.koamtac.com

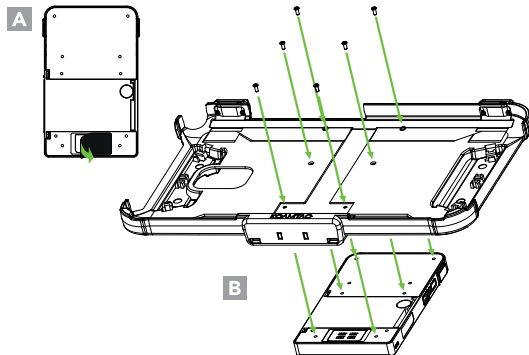
KOAMTAC

Samsung Galaxy Tab® Active2 SmartSled® Case Assembly Manual

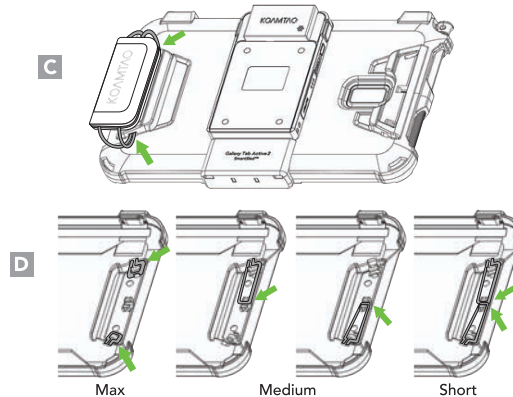


If your Galaxy Tab Active2 Case came with a KDC470, please skip step 1 and proceed to step 2.

1. Carefully remove black protective sticker from back of KDC470. Use a Philips-head screwdriver to fasten KDC470 to Galaxy Tab Active2 Case. (A,B)



2. Push both sides of elastic on hand strap through holes on back of case on right or left side. Adjust length of handstrap by repositioning elastic to various notches on inside of case. (C,D)



3. With home buttons to the right, fit Galaxy Tab Active2 bottom into case, as shown. Snap top corners into place. (E,F)

