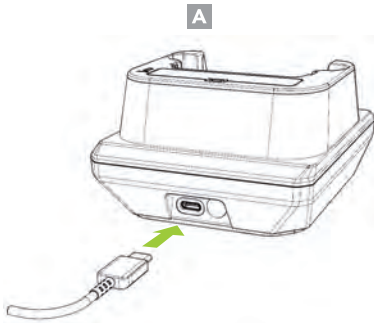


Charging via USB Type-C

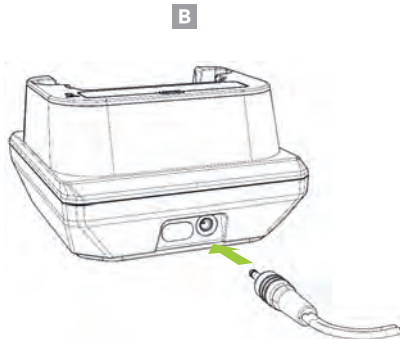
Use a genuine Samsung AFC adaptor for 9V fast charging. Use a minimum 5V/2A rated USB adaptor for 5V normal charging. (A)



*Fast charging is only supported when using a genuine Samsung AFC charger.

Charging via DC Connector

The 12V/2A DC power adaptor supports 9V fast charging when the SKX is mounted on the charging cradle. (B)



Additional Accessories

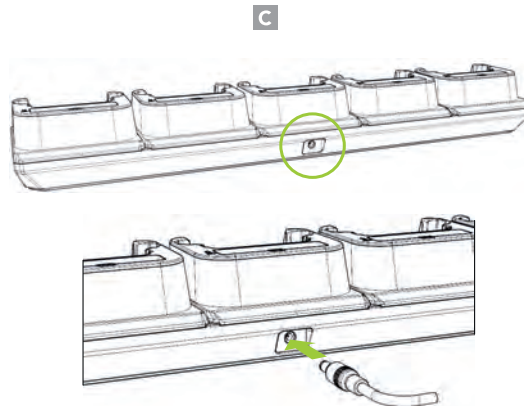
- ▶ 0.5W UHF Reader Companion
- ▶ 1.0W UHF Reader Companion
- ▶ 2000mAh Extended Battery Companion
- ▶ Pistol Grip Companion (battery optional)
- ▶ SKX Pistol Grip 1-Slot Charging Cradle
- ▶ SKX Pistol Grip 5-Slot Charging Cradle
- ▶ XCover 1-Slot Charging Cradle
- ▶ XCover 5-Slot Charging Cradle

KOAMTAC

116 Village Blvd, Ste 305, Princeton, NJ 08540
+1 609-256-4700 [p](#) | +1 609-228-4373 [f](#)
info@koamtac.com | www.koamtac.com

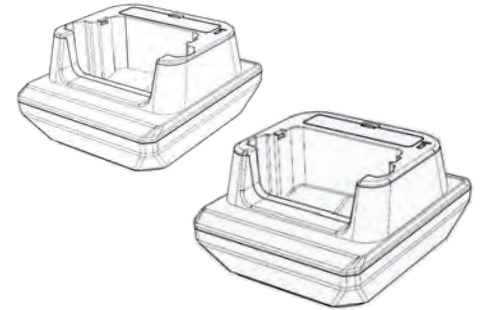
5-Slot Charging via DC Connector

The 12V/10A DC power adaptor supports 9V fast charging when the SKX is mounted on the 5-slot charging cradle. (C)



KOAMTAC

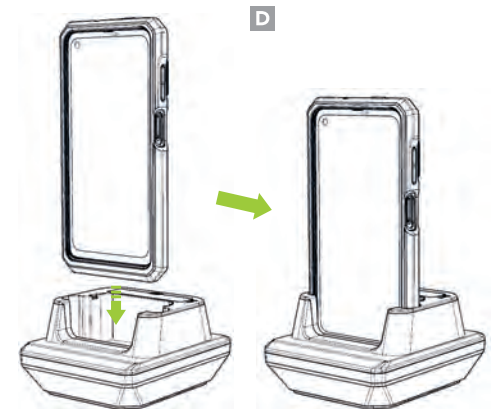
SKX Charging Cradle Mini Guide



*The manual explanation proceeds with the image of SKXPro Charging Cradle.

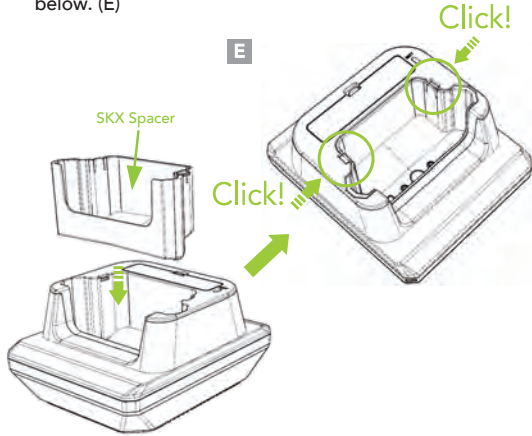
Charging the SKX with Protective Boot

Insert SKX with Protective Boot in to slot as shown below. (D)

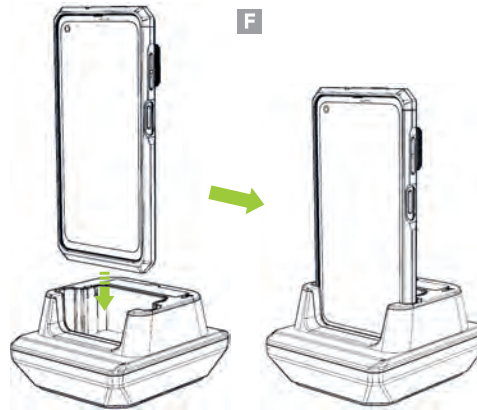


Charging the SKX

1. Assemble the SKX spacer (Optional) as shown in the figure below. (E)

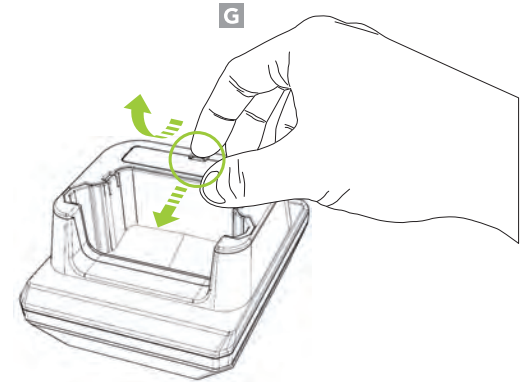


2. The SKX will now fit into the charging cradle with out protective boot. (F)



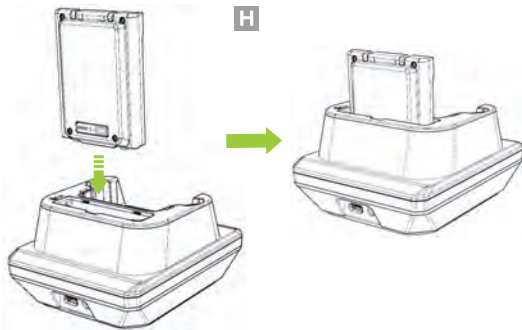
Removing the Battery Cover

To remove, pull the hook on the battery cover forward and tilt it upwards. (G)

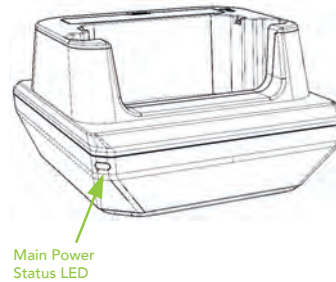


Charging the SKX Extended Battery

Insert the battery into the extended battery slot on the cradle with the battery's charging LED indicator facing towards the back of the cradle. (H)

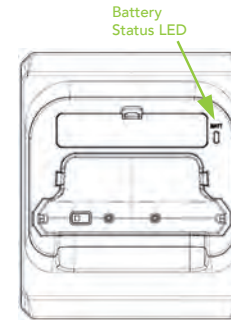


Cradle Power LED Status



Green : Always on when the cradle is powered on

Battery LED Status



Green : Fully charged

Orange : Charging

Blinking Red : Charging Issue

- Overheating

- Charging fault

- Foreign material inside